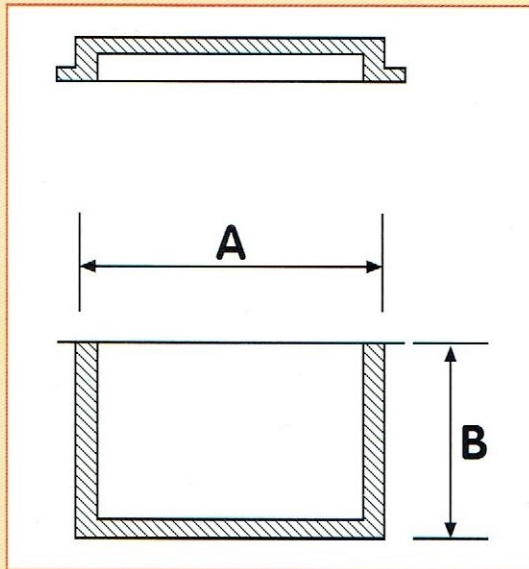


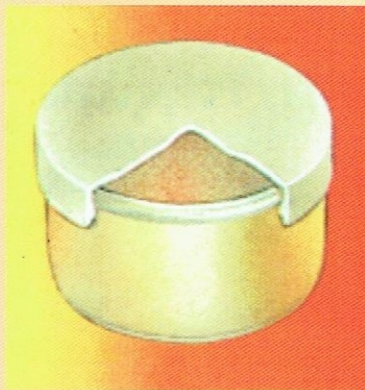
RP

Rugby Plastics Limited
Precision Injection Moulders & Toolmakers

Small Containers with Lids



Ref	Part Number		Nominal Capacity (ml)	Internal Diameter (mm)		Bag Quantity
	Base	Lid		Diameter	Height	
G	10514	10513	2.0	21.0	6.4	3000
F	36219	36218	5.0	25.4	9.0	3000
E	36220	34923	10.0	33.3	10.7	3000
D1	36221	34924	15.0	38.1	12.9	1500
H	36222	34925	17.5	42.0	13.0	1500
D2	36223	34924	20.0	38.2	19.1	1500
H2	36224	34925	22.5	41.8	17.5	1500
HT	36225	34925	30.0	40.7	28.4	1500
A1	36226	34926	30.0	51.5	14.5	2000
D3	36227	34924	40.0	38.5	36.2	1500
A2	36228	34926	40.0	50.8	19.5	1000
J1	36229	34927	45.0	44.5	30.6	1000
A3	36230	34926	50.0	51.0	24.6	1000
J3	36231	34927	70.0	44.0	44.8	1000
P3	36232	34928	75.0	63.5	24.4	1000
A4	36234	34926	100.0	50.8	51.0	500



This range of 16 lightweight containers with snap fit lids can store a variety of products, including pills, pins, small components, powders, pastes, grease, fasteners and electrical parts. They can also be used as pipe and flange protection and tube end caps.

Standard colours available:



Red



Blue



Green



Yellow



Black



White

Unique/Special colours are available for larger quantities.